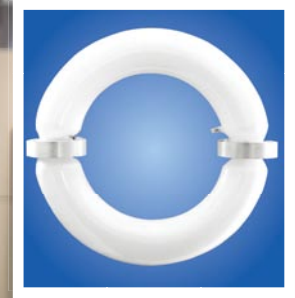
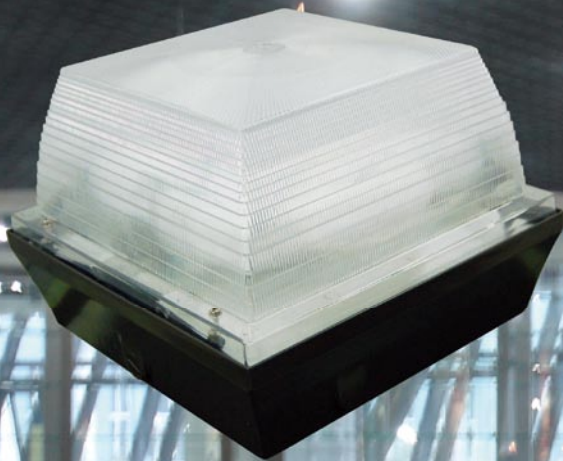
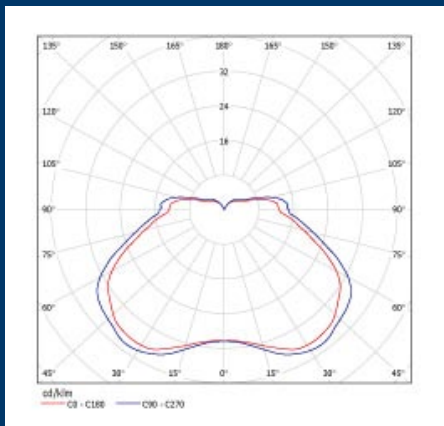


Ceiling Luminaire



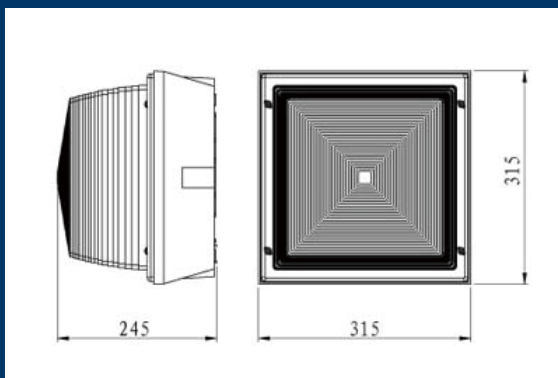
LVD Saturn Lamp

Photometrics



80W Saturn Lamp

Dimensions



Name: Ceiling Luminaire

Serial Code: 0379

Dimension: 315x315x245 mm

Wattage: 40W-80W

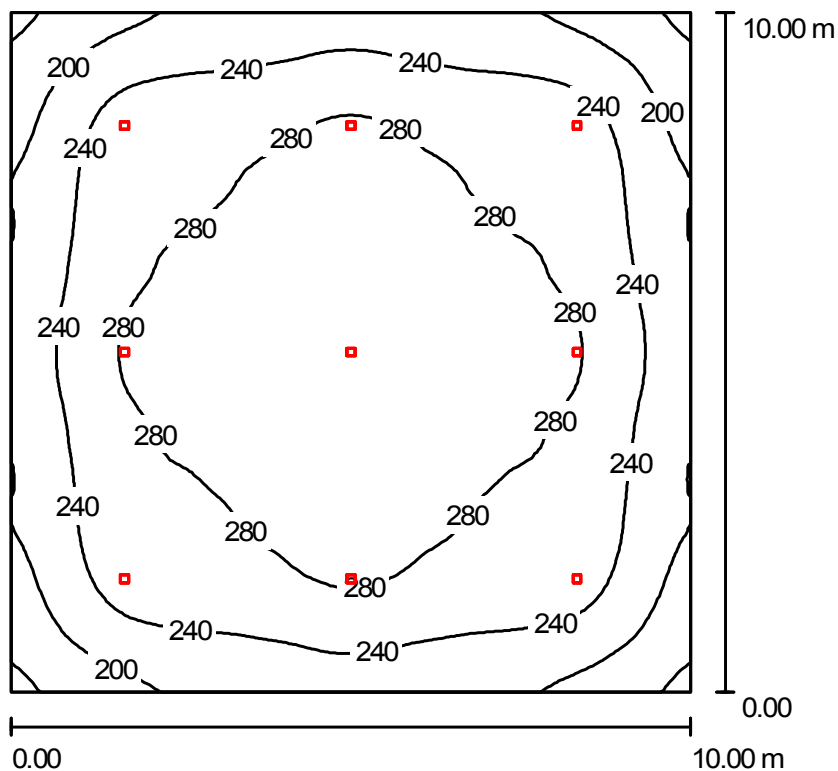
Package Dimension: 330x330x260 mm

Features:

1. Durable high-pressure die casting aluminum cover
2. High intensity, high temperature and UV resistant PC cover
3. Mirror surface aluminum reflector provides optimum light distribution.
4. Can match with our LVD Saturn series lamp with its excellent Color

Rendering Index and light efficiency, long life span, no flicker and energy saving, wide range of color temperature and soft light, stable light output.

上海宏源照明电器有限公司
 Shanghai Hongyuan LIGHTING & Electric Equipment Co.,Ltd
 上海市真南路5028号
 No.5028 Zhennan Road



Height of Room: 4.000 m, Mounting Height: 4.120 m, Light loss factor: 0.80

Values in Lux, Scale 1:129

Surface	ρ [%]	E_{av} [lx]	E_{min} [lx]	E_{max} [lx]	$u0$
Work plane	/	255	152	313	0.595
Floor	20	229	153	277	0.666
Ground	70	71	57	113	0.805
Walls (4)	50	185	114	297	/

Luminaire Parts List

No.	Pieces	Φ [lm]	P [W]
1	9	6400	80.0
		Total: 57600	720.0

Specific connected load: $7.20 \text{ W/m}^2 = 2.82 \text{ W/m}^2/100 \text{ lx}$ (Ground area: 100.00 m^2)