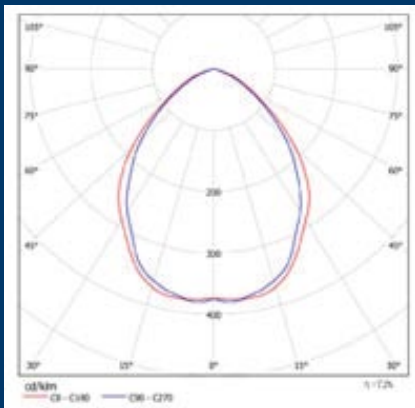




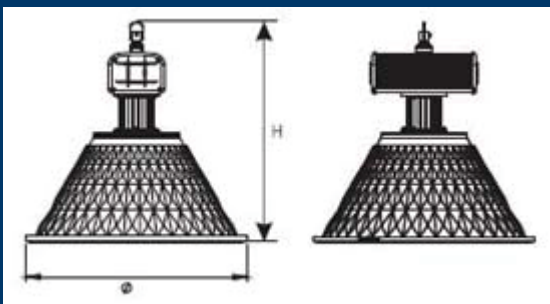
LVD Saturn Lamp

Photometrics



200W Saturn Lamp

Dimensions



Name: Highbay

Serial Code: 0361-1

Dimension: $\Phi 417 \times H 525$ (16"), $\Phi 547 \times H 590$ (20") mm

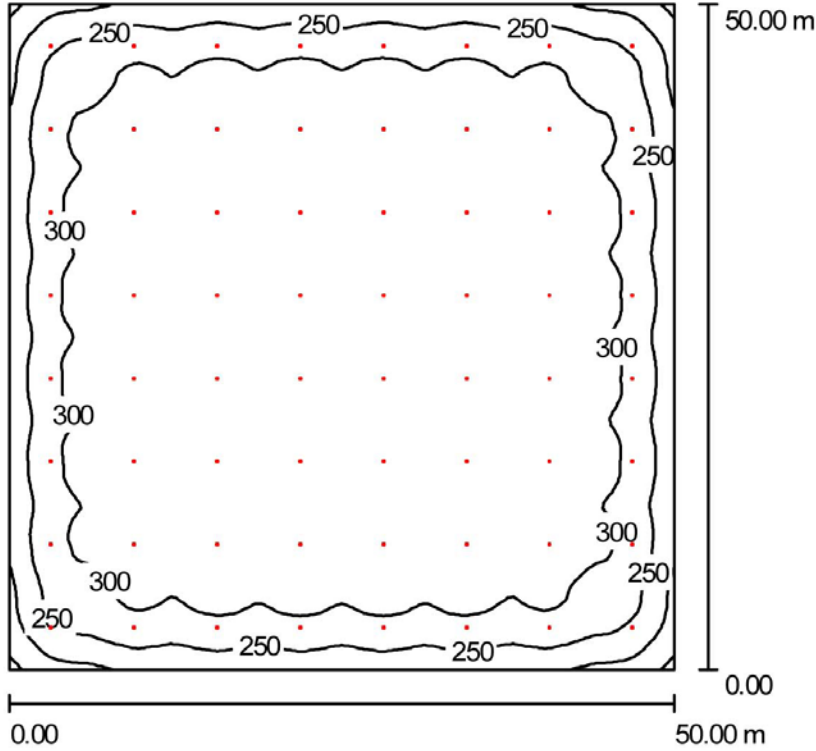
Wattage: 80W-200W

Package Dimension: $480 \times 480 \times 535$ (16"), $610 \times 610 \times 600$ (20") mm

Features:

1. The end covers are made of high pressure die-casting Alu and electrical box is made of Aluminum Alloy Profile.
2. Electrostatic spray surface, perfect appearance.
3. Oxidation and polishing high-purity aluminum reflector, high reflectance and stable optical property.
4. Tempered glass, high light transmission.
5. Can match with our LVD Saturn series lamp with its excellent Color Rendering Index and light efficiency, long life span, no flicker and energy saving, wide range of color temperature and soft light ,stable light output

上海宏源照明电器有限公司
 Shanghai Hongyuan LIGHTING & Electric Equipment Co.,Ltd
 上海市真南路5028号
 No.5028 Zhennan Road



Height of Room: 8.000 m, Mounting Height: 8.000 m, Light loss factor: 0.80

Values in Lux, Scale 1:642

Surface	ρ [%]	E_{av} [lx]	E_{min} [lx]	E_{max} [lx]	$u0$
work plane	/	303	139	349	0.460
floor	20	298	137	343	0.458
ceiling	70	57	43	63	0.749
Walls (4)	50	117	46	175	/

work plane:

Height: 0.850 m
 Grid: 128 x 128 Points
 Boundary Zone: 0.000 m

Luminaire Parts List

No.	Pieces	Φ [lm]	P [W]
1	64	16000	202.2
		Total:	1024000 12940.8

Specific connected load: $5.18 \text{ W/m}^2 = 1.71 \text{ W/m}^2/100 \text{ lx}$ (Ground area: 2500.00 m^2)